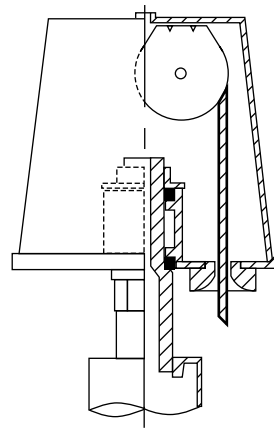
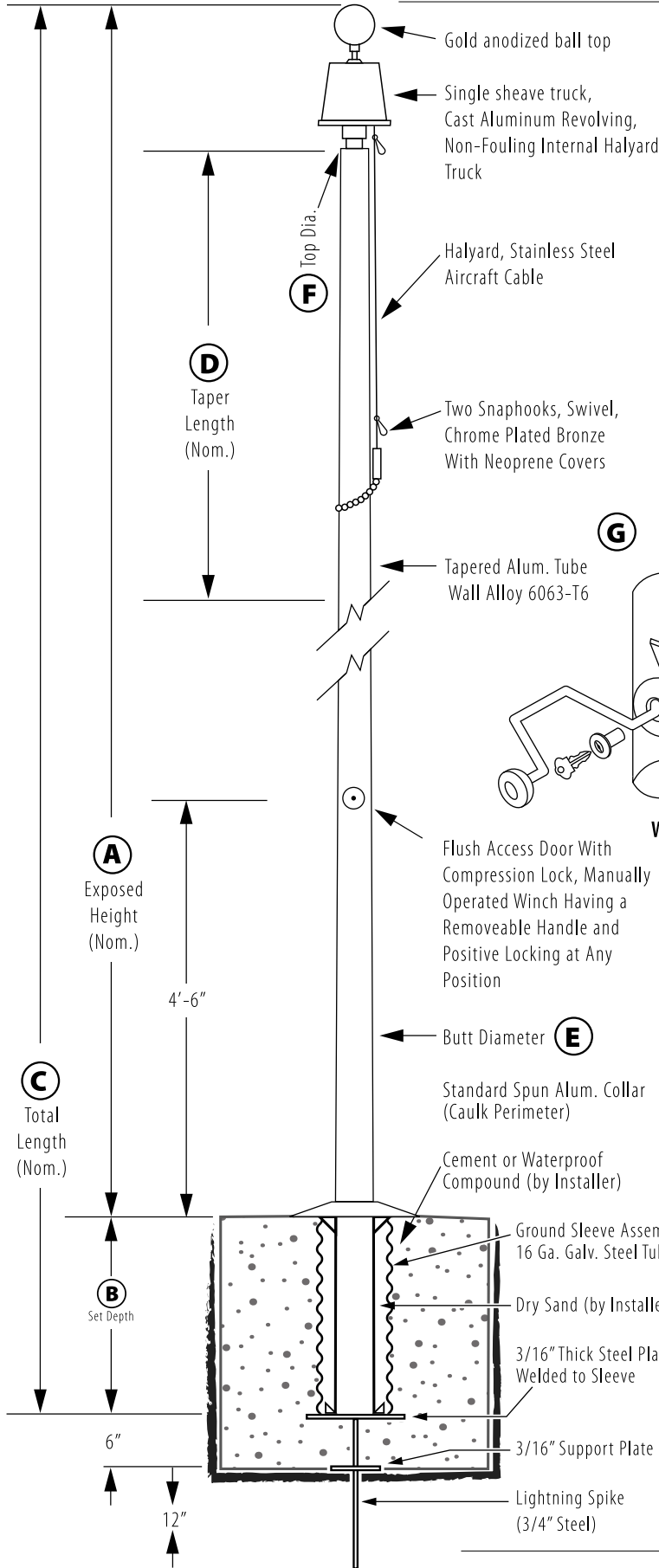
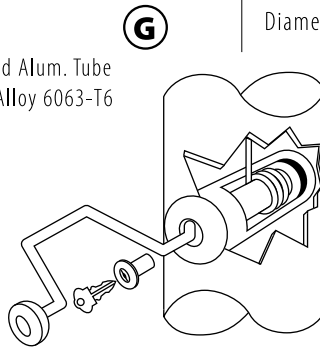


Internal Winch - Ground Set

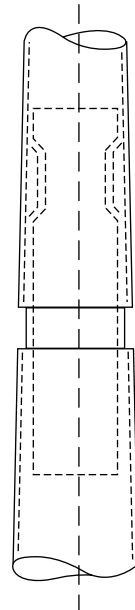
Model # IWM70G13-AA



Revolving Non-Fouling Internal Halyard Truck
 Cast Aluminum Body, 26 Stainless Steel Ball Bearings, 2-1/2" Diameter Plate Steel Sheave.



Winch Detail



Customer Name:	
Rep Name:	
Architect Name:	
Project:	
Location:	
PO Number:	
Quantity:	
Notes:	
A - Exposed Height	70 ft.
B - Set Depth	7 ft.
C - Total Length	77 ft.
D - Taper	52 ft.
E - Butt Diameter	10 in.
F - Top Diameter	4 in.
G - Wall Thickness	0.312 in.
Finish: Anodized, Clear	
Piece: 3	
Accessories: Gold anodized ball top, standard collar	

All shafts with overall length of 33' or more are shipped in **two sections**

1-1/2" maximum shop gap allowed for field fitting (ram for tight joint).

Joint occurs on 2 or more piece flagpoles.