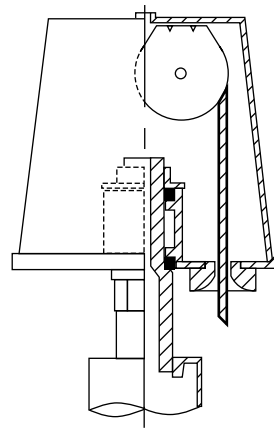
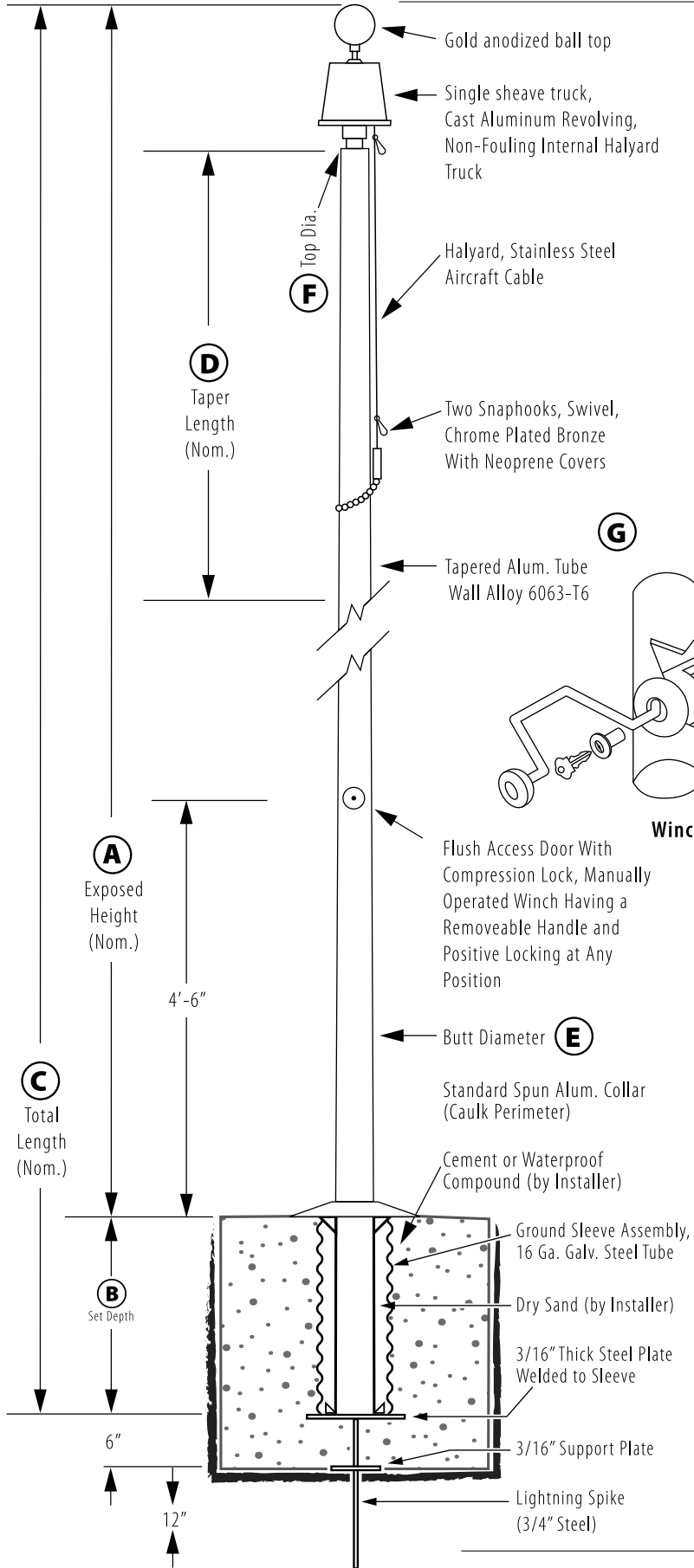
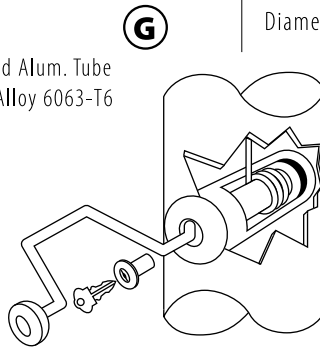


# Internal Winch - Ground Set

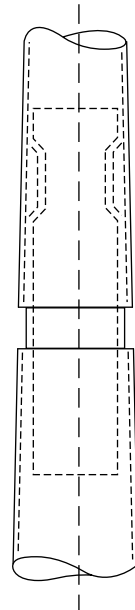
Model # IWM60F13-AA



**Revolving Non-Fouling Internal Halyard Truck**  
 Cast Aluminum Body, 26 Stainless Steel Ball Bearings, 2-1/2" Diameter Plate Steel Sheave.



**Winch Detail**



All shafts with overall length of 33' or more are shipped in **two sections**

1-1/2" maximum shop gap allowed for field fitting (ram for tight joint).

*Joint occurs on 2 or more piece flagpoles.*

Customer Name:	
Rep Name:	
Architect Name:	
Project:	
Location:	
PO Number:	
Quantity:	
Notes:	
<b>A - Exposed Height</b>	60 ft.
<b>B - Set Depth</b>	6 ft.
<b>C - Total Length</b>	66 ft.
<b>D - Taper</b>	33 ft.
<b>E - Butt Diameter</b>	10 in.
<b>F - Top Diameter</b>	4 in.
<b>G - Wall Thickness</b>	0.250 in.
<b>Finish:</b> Anodized, Clear	
<b>Piece:</b> 3	
<b>Accessories:</b> Gold anodized ball top, standard collar	