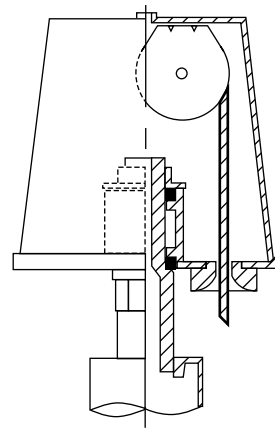
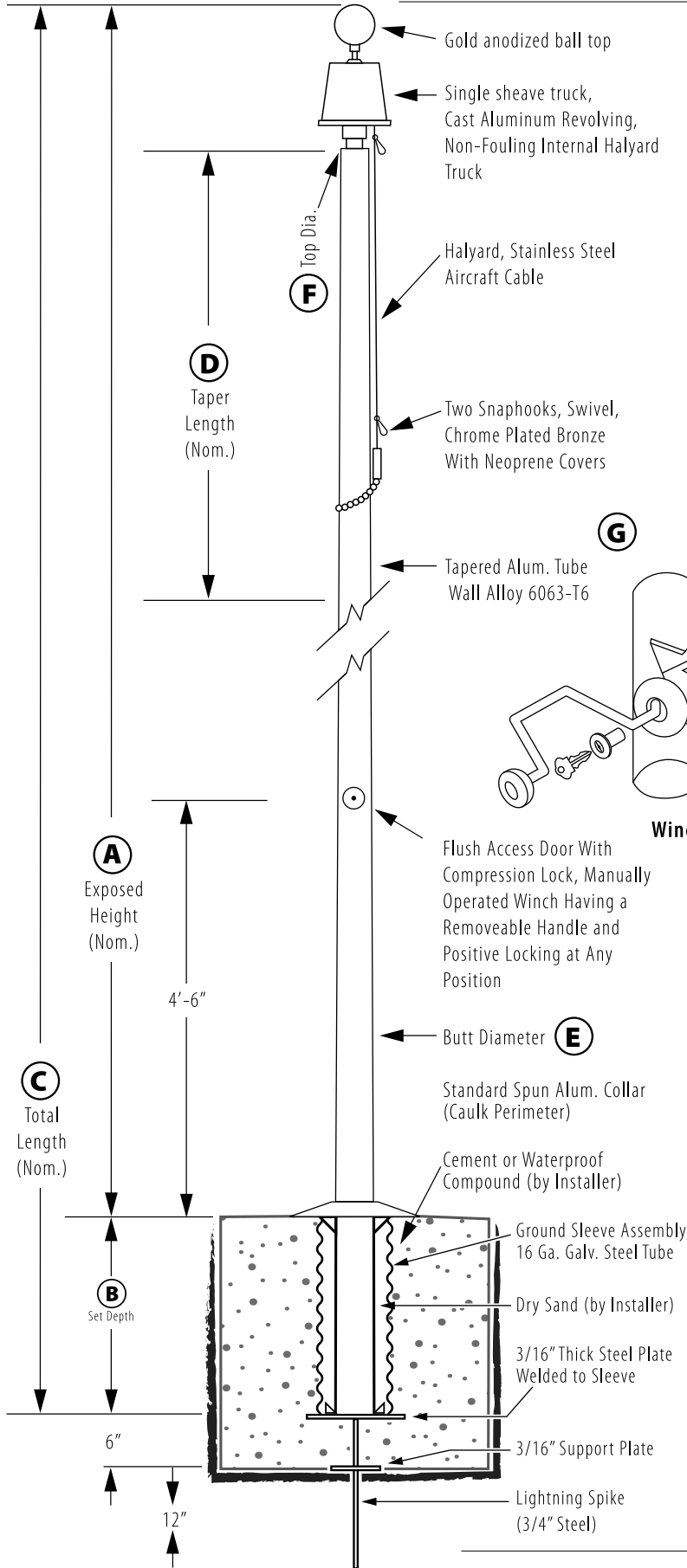
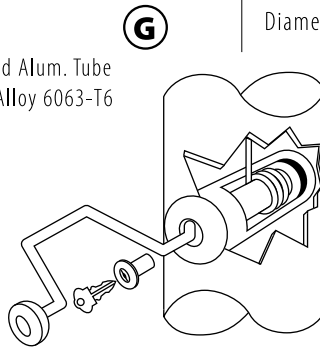


Internal Winch - Ground Set

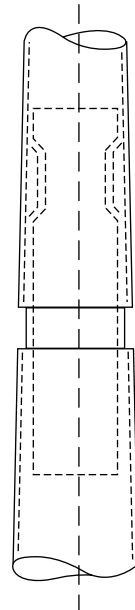
Model # IWM60D13-02



Revolving Non-Fouling Internal Halyard Truck
 Cast Aluminum Body, 26 Stainless Steel Ball Bearings, 2-1/2" Diameter Plate Steel Sheave.



Winch Detail



All shafts with overall length of 33' or more are shipped in **two sections**

1-1/2" maximum shop gap allowed for field fitting (ram for tight joint).

Joint occurs on 2 or more piece flagpoles.

Customer Name: _____

Rep Name: _____

Architect Name: _____

Project: _____

Location: _____

PO Number: _____

Quantity: _____

Notes: _____

A - Exposed Height	60 ft.
B - Set Depth	6 ft.
C - Total Length	66 ft.
D - Taper	33 ft.
E - Butt Diameter	10 in.
F - Top Diameter	4 in.
G - Wall Thickness	0.188 in.

Finish:
Satin Aluminum, 80 Grit

Piece: 3

Accessories:
Gold anodized ball top, standard collar