

Internal Winch - Ground Set

Model # IWM50D83-02

Customer Name: _____

Rep Name: _____

Architect Name: _____

Project: _____

Location: _____

PO Number: _____

Quantity: _____

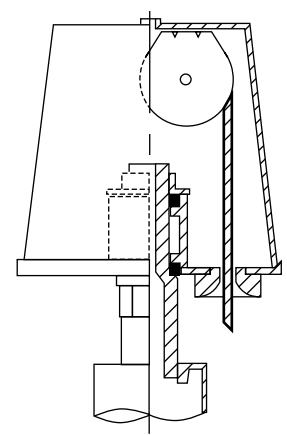
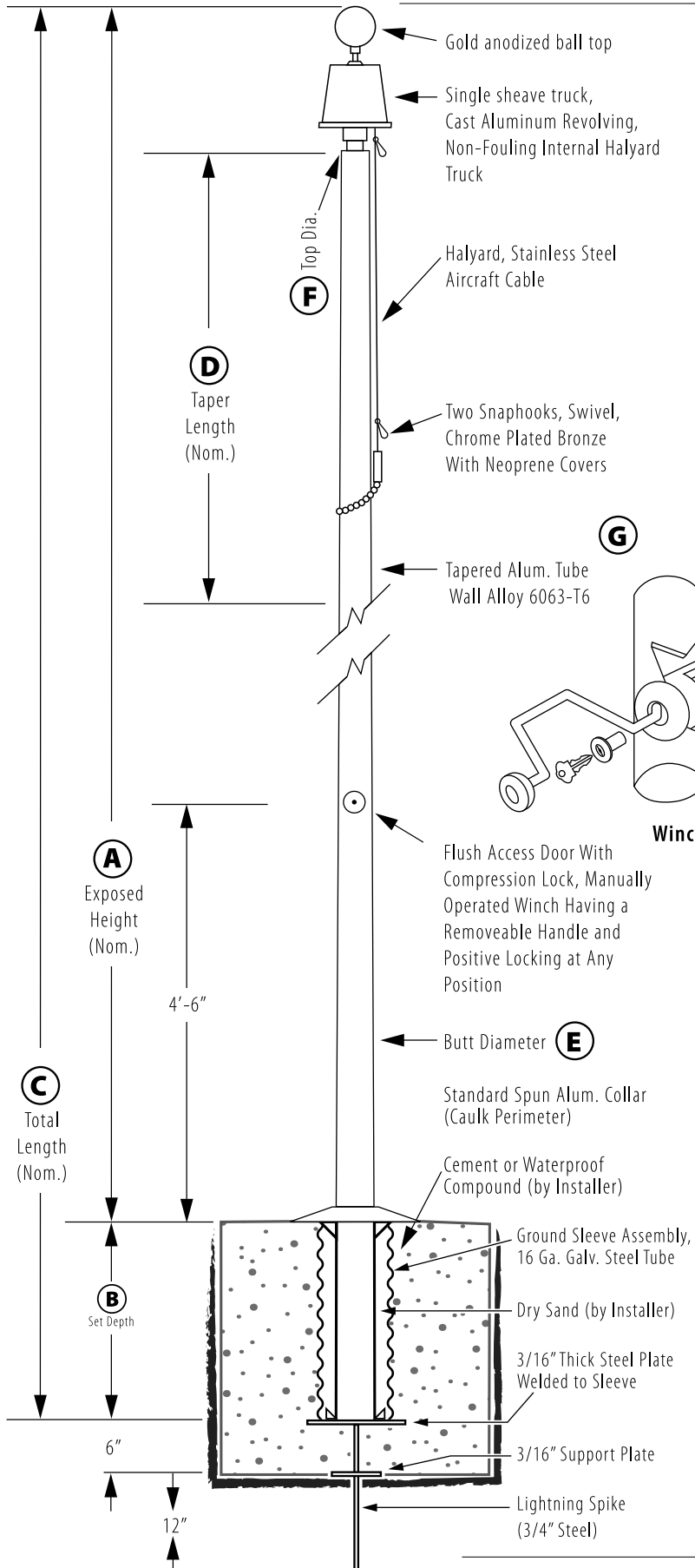
Notes: _____

A - Exposed Height	50 ft.
B - Set Depth	5 ft.
C - Total Length	55 ft.
D - Taper	22 ft.
E - Butt Diameter	8 in.
F - Top Diameter	4 in.
G - Wall Thickness	0.188 in.

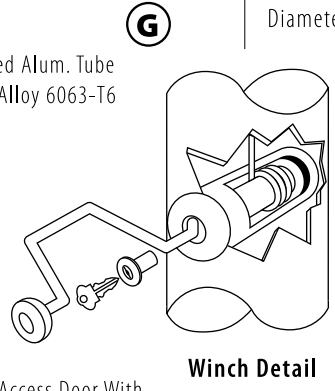
Finish:
Satin Aluminum, 80 Grit

Piece: 3

Accessories:
Gold anodized ball top,
standard collar



Revolving Non-Fouling Internal Halyard Truck
Cast Aluminum Body, 26 Stainless Steel Ball Bearings, 2-1/2" Diameter Plate Steel Sheave.



All shafts with overall length of 33' or more are shipped in **two sections**

1-1/2" maximum shop gap allowed for field fitting (ram for tight joint).

Joint occurs on 2 or more piece flagpoles.