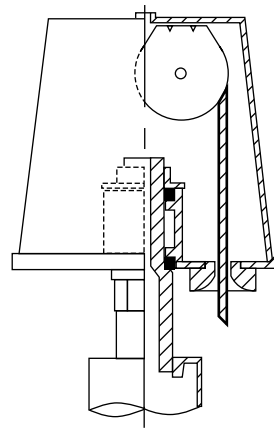
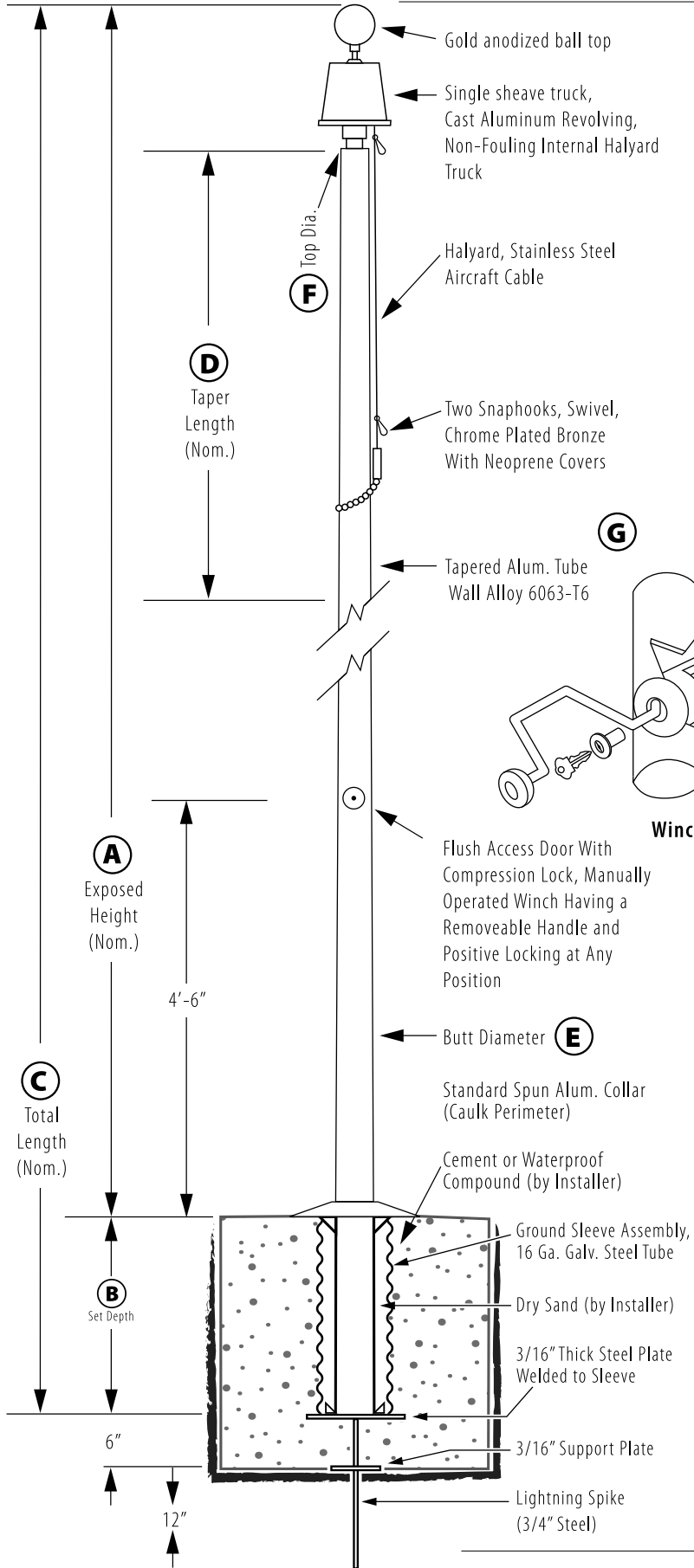
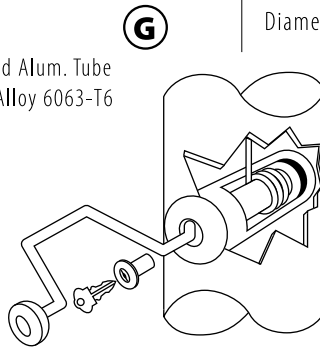


Internal Winch - Ground Set

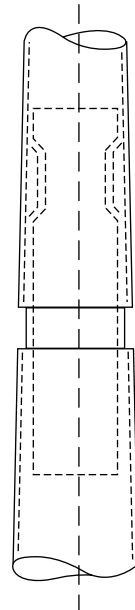
Model # IWM30C62-AD



Revolving Non-Fouling Internal Halyard Truck
 Cast Aluminum Body, 26 Stainless Steel Ball Bearings, 2-1/2" Diameter Plate Steel Sheave.



Winch Detail



Customer Name: _____

Rep Name: _____

Architect Name: _____

Project: _____

Location: _____

PO Number: _____

Quantity: _____

Notes: _____

| | |
|---------------------------|--------------|
| A - Exposed Height | 30 ft. |
| B - Set Depth | 3 ft. |
| C - Total Length | 33 ft. |
| D - Taper | 13 ft. 9 in. |
| E - Butt Diameter | 6 in. |
| F - Top Diameter | 3 1/2 in. |
| G - Wall Thickness | 0.156 in. |

Finish:
Anodized, Dark Bronze

Piece: 2

Accessories:
Gold anodized ball top, standard collar

All shafts with overall length of 33' or more are shipped in **two sections**

1-1/2" maximum shop gap allowed for field fitting (ram for tight joint).

Joint occurs on 2 or more piece flagpoles.