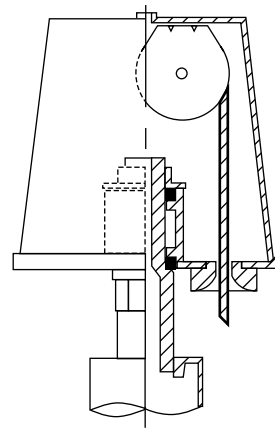
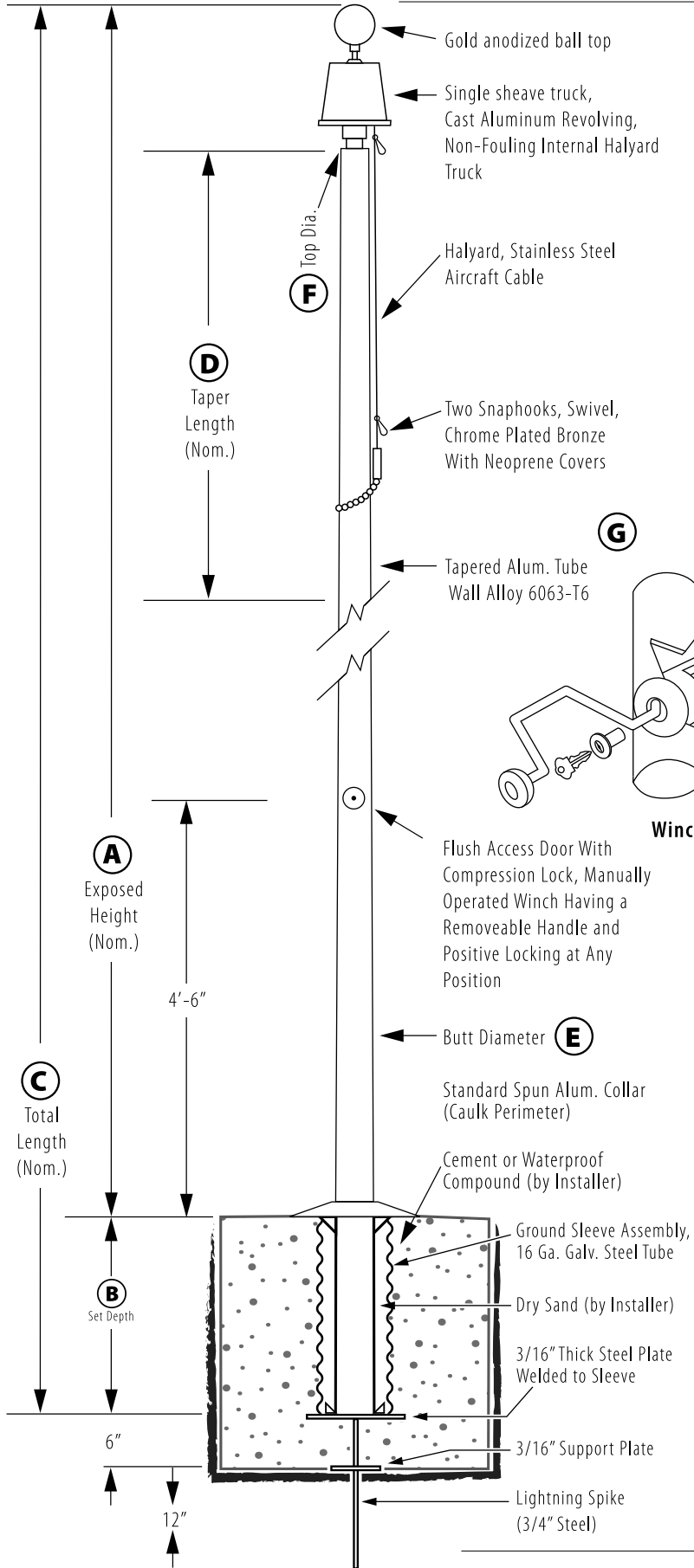
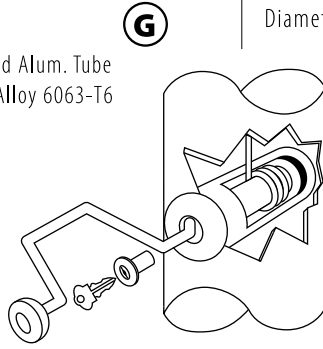


Internal Winch - Ground Set

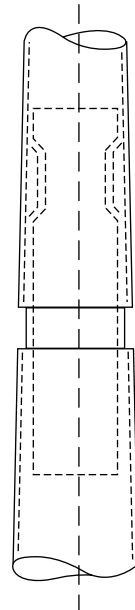
Model # IWM20D51-AA



Revolving Non-Fouling Internal Halyard Truck
 Cast Aluminum Body, 26 Stainless Steel Ball Bearings, 2-1/2" Diameter Plate Steel Sheave.



Winch Detail



Customer Name:	
Rep Name:	
Architect Name:	
Project:	
Location:	
PO Number:	
Quantity:	
Notes:	
A - Exposed Height	20 ft.
B - Set Depth	2 ft.
C - Total Length	22 ft.
D - Taper	11 ft.
E - Butt Diameter	5 in.
F - Top Diameter	3 in.
G - Wall Thickness	0.188 in.
Finish: Anodized, Clear	
Piece: 1	
Accessories: Gold anodized ball top, standard collar	

All shafts with overall length of 33' or more are shipped in **two sections**

1-1/2" maximum shop gap allowed for field fitting (ram for tight joint).

Joint occurs on 2 or more piece flagpoles.