



COLONIAL FLAG


America's Flag Store®

THE FIRST OF ITS KIND AND DOUBLES AS A SECURITY LIGHT



LUMA-DISC™ BRAND FLAGPOLE LIGHT

The first of its kind! 1600 Lumens of bright flagpole light. Enough light to double as a security light for your property.

- 12 CREE L.E.D.'s • 50,000 Hour Estimated Light • 1/8 The Cost of Traditional Lighting (Only 10 watts)
- Cool Color Light • Photo Cell For Auto On/Off • 5 Year Warranty • Easy Installation & Retro Fit
- Dark Sky Friendly • Made In The USA • Manufactured by 



COLONIAL FLAG

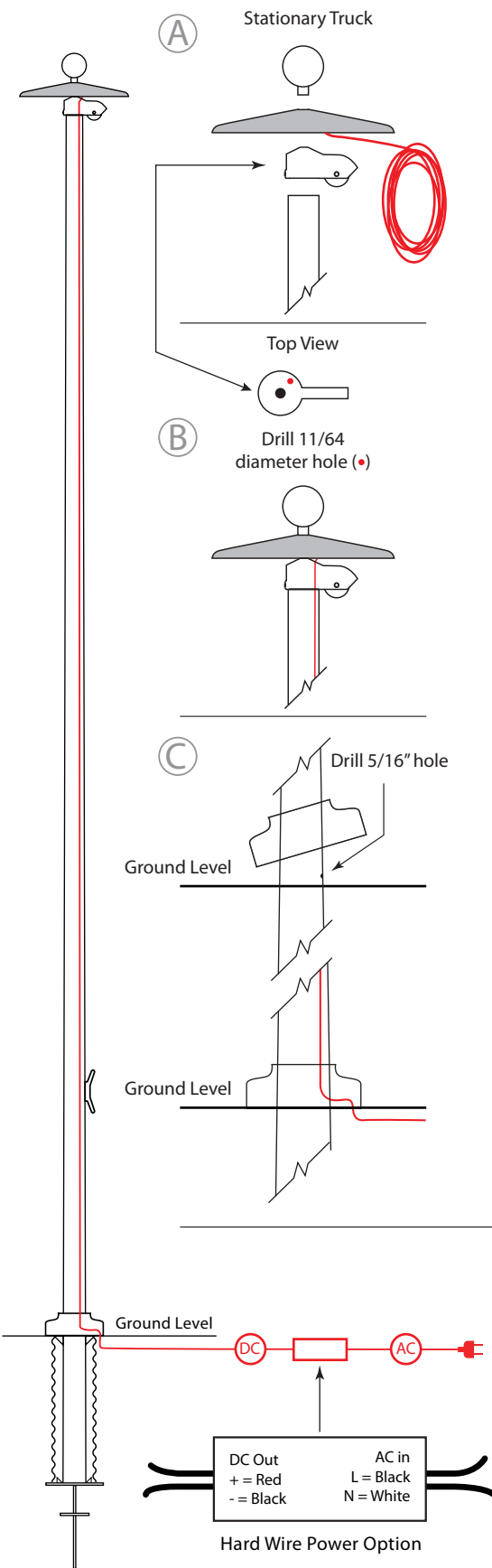
America's Flag Store®

9390 S. 300 W. SANDY, UTAH 84070

Web: COLONIALFLAG.COM

Toll Free: **800-782-0500**

SLC: **801-562-0123**



NOTE: Installation is the same on existing poles as well as new pole installs, except where noted.

- A** • On existing poles, remove the truck and ball from the pole, then remove the ball from the truck. Drill an 11/64 inch hole in the top of the truck that matches the wire coming off of the Luma-Disc™ (approx. 1 inch from center). See illustration A.
- B** • Feed the Luma-Disc™ wire through the hole, and then assemble the Luma-Disc™ in between the truck and the ball. Screw the ball down tight. See illustration B.
- C** • On existing poles, lift the lower trim ring and drill a 5/16 inch hole. Rock and/or ream your drill as to minimize possible sharp edges created when drilling. Make sure that it is low enough that the trim ring will cover the wire and the hole. See illustration C.
 - On new poles, measure the distance that the pole will sit in the ground. Drill the wire hole just above the ground line so that the trim ring will hide the wire hole, once installed.
 - Run a fish tape up the pole (from the hole you just drilled) at the bottom up to the top, connect the 18 gauge-2 conductor wire and then pull the wire down the pole and out the 5/16 inch hole you drilled.
 - The Luma-Disc™ is supplied with 50 feet of 18 gauge – 2 conductor wire to get to the power source. Additional wire may be required if your power source is a farther distance than that. For Plug and Play and / or Hard Wire Instructions*, see illustration D.
- Assemble the truck with the Luma-Disc™ and the ball onto the pole.

D * Plug and Play Instructions

- 1:** If you have opted for the plug and play kit:
 - a. Slide your heat shrink over either side of the wire.
 - b. Attach one wire from the power supply to the Flag Luma-Disc™ wire. Firmly crimp the butt connector. Repeat this procedure with the other wire.
 - c. Slide the heat shrink material back over the connectors.
 - d. Heat the heat shrink material with a hair dryer or lighter to shrink it over the connection.
 - e. Now, simply plug it into the power receptacle you have chosen.
- 2:** If you have chosen the hard wire version, we recommend you have an electrician wire it to the best suitable power source using the power supply enclosed in your kit.